

Libretto di Istruzioni
Instructions Manual
Manuel d'Instructions
Bedienungsanleitung
Gebruiksaanwijzing

RECOMMENDATIONS AND SUGGESTIONS

⚠ The Instructions for Use apply to several versions of this appliance. Accordingly, you may find descriptions of individual features that do not apply to your specific appliance.

INSTALLATION


- The manufacturer will not be held liable for any damages resulting from incorrect or improper installation.
- The minimum safety distance between the cooker top and the extractor hood is 650 mm (some models can be installed at a lower height, please refer to the paragraphs on working dimensions and installation).
- Check that the mains voltage corresponds to that indicated on the rating plate fixed to the inside of the hood.
- For Class I appliances, check that the domestic power supply guarantees adequate earthing. Connect the extractor to the exhaust flue through a pipe of minimum diameter 120 mm. The route of the flue must be as short as possible.
- Do not connect the extractor hood to exhaust ducts carrying combustion fumes (boilers, fireplaces, etc.).
- If the extractor is used in conjunction with non-electrical appliances (e.g. gas burning appliances), a sufficient degree of aeration must be guaranteed in the room in order to prevent the backflow of exhaust gas. The kitchen must have an opening communicating directly with the open air in order to guarantee the entry of clean air. When the cooker hood is used in conjunction with appliances supplied with energy other than electric, the negative pressure in the room must not exceed 0,04 mbar to prevent fumes being drawn back into the room by the cooker hood.
- In the event of damage to the power cable, it must be replaced by the manufacturer or by the technical service department, in order to prevent any risks.
- If the instructions for installation for the gas hob specify a greater distance specified above, this has to be taken into account. Regulations concerning the discharge of air have to be fulfilled.

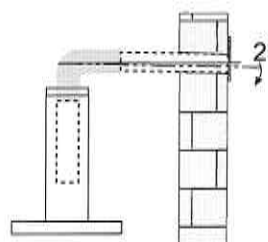
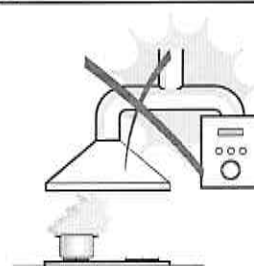
USE

- The extractor hood has been designed exclusively for domestic use to eliminate kitchen smells.
- Never use the hood for purposes other than for which it has been designed.
- Never leave high naked flames under the hood when it is in operation.
- Adjust the flame intensity to direct it onto the bottom of the pan only, making sure that it does not engulf the sides.
- Deep fat fryers must be continuously monitored during use: overheated oil can burst into flames.
- Do not flambe under the range hood; risk of fire
- This appliance is not intended for use by persons (including children) with reduced physical, sensory or mental capabilities, or lack of experience and knowledge, unless they have been given supervision or instruction concerning use of the appliance by a person responsible for their safety.
- Children should be supervised to ensure that they do not play with the appliance.
- "CAUTION: Accessible parts may become hot when used with cooking appliances."

MAINTENANCE

- Switch off or unplug the appliance from the mains supply before carrying out any maintenance work.
- Clean and/or replace the Filters after the specified time period (Fire hazard).
- Clean the hood using a damp cloth and a neutral liquid detergent.

The symbol  on the product or on its packaging indicates that this product may not be treated as household waste. Instead it shall be handed over to the applicable collection point for the recycling of electrical and electronic equipment. By ensuring this product is disposed of correctly, you will help prevent potential negative consequences for the environment and human health, which could otherwise be caused by inappropriate waste handling of this product. For more detailed information about recycling of this product, please contact your local city office, your household waste disposal service or the shop where you purchased the product.



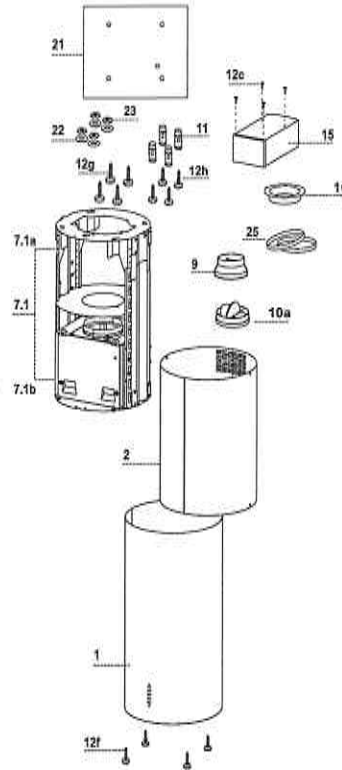
CHARACTERISTICS

Components

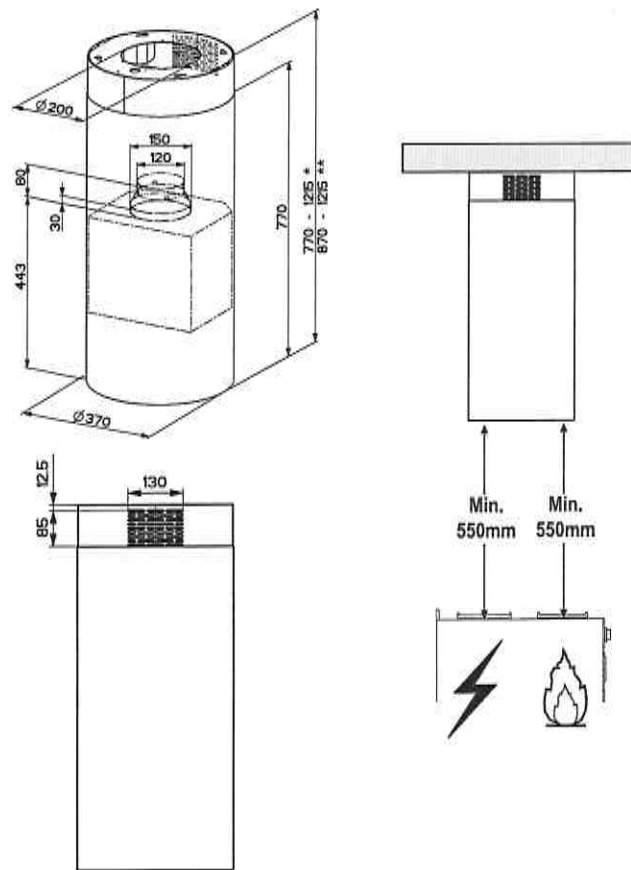
Ref.	Q.ty	Product Components
1	1	Hood Body, complete with: Controls, Light, Blower, Filters
2	1	Chimney Upper
7.1	1	Telescopic frame complete with extractor, consisting of:
7.1a	1	Upper frame
7.1b	1	Lower frame
9	1	Reducer Flange \varnothing 150-120 mm
10	1	Flange \varnothing 120 mm
10a	1	Dumper
15	1	Recirculation Air Outlet Connection
25	2	Pipe clamps

Ref.	Q.ty	Installation Components
11	4	Wall Plugs \varnothing 10
12c	4	Screws 2,9 x 6,5
12f	4	Screws M6 x 10
12g	4	Screws M6 x 80
12h	4	Screws 5,2 x 70
21	1	Drilling template
22	4	6.4 mm int. dia washers
23	4	M6 nuts

Q.ty	Documentation
1	Instruction Manual

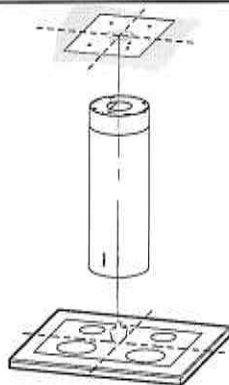


Dimensions



- * Dimensions of the hood in ducting version.
- ** Dimensions of the hood in recycling version.

INSTALLATION



Drilling the Ceiling/shelf and fixing the frame

DRILLING THE CEILING/SHELF

- Use a plumb line to mark the centre of the hob on the ceiling/support shelf.
- Place the drilling template **21** provided on the ceiling/support shelf, making sure that the template is in the correct position by lining up the axes of the template with those of the hob.
- Mark the centres of the holes in the template.
- Drill the holes at the points marked:
 - For concrete ceilings, drill for plugs appropriate to the screw size.
 - For hollow brick ceilings with wall thickness of 20 mm: drill \varnothing 10 mm (immediately insert the Dowels **11** supplied).
 - For wooden beam ceilings, drill according to the wood screws used.
 - For wooden shelf, drill \varnothing 7 mm.
 - For the power supply cable feed, drill \varnothing 10 mm.
 - For the air outlet (Ducted Version), drill according to the diameter of the external air exhaust duct connection.
- Insert two screws of the following type, crossing them and leaving 4-5 mm from the ceiling:
 - For concrete ceilings, use the appropriate plugs for the screw size (not provided).
 - for Cavity ceiling with inner space, with wall thickness of approx. 20 mm, Screws **12h**, supplied.
 - For wooden beam ceilings, use 4 wood screws (not provided).
 - For wooden shelf, use 4 screws **12g** with washers **22** and nuts **23**, provided.

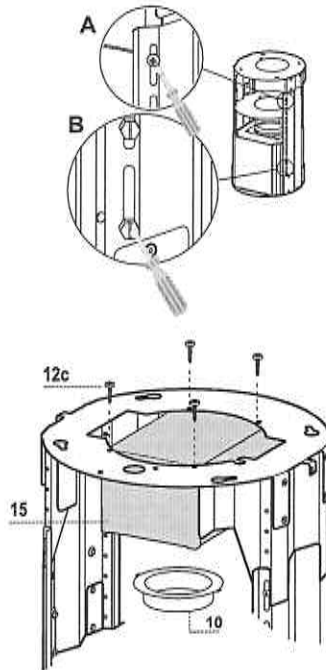
PREPARATION OF THE FRAME FOR THE HOOD IN RE-CYCLING VERSION

In case the hood is used in recycling version it is necessary to prepare the frame with all the necessary connection pieces. In order to make the installation easier it is necessary to lengthen the frame:

- Unscrew the two screws **2.1** fixing the upper chimney to the frame and pull the chimney out.
- Unscrew the four safety screws placed at the top in the frame separation area. (A).
- Unscrew the eight metric screws connecting the two columns, placed on both sides of the frame (B).

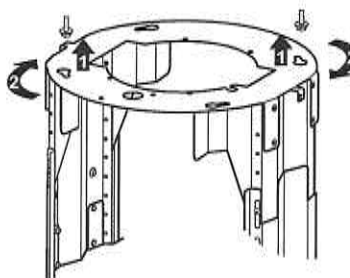
Installation of components in recycling version:

- Fix the recycling air outlet piece **15** to the upper part of the frame using four **12c** screws supplied with the hood.
- Fix the flange ($\varnothing 120$) **10** to the lower part of the recycling air outlet **15**.
- Put the reducer flange **9** on the hood body outlet.
- At this point, join the flanges with a pipe. In order to calculate the height of the pipe it is necessary to estimate the height of the hood (mm) and subtract 615 mm. ($H_{\text{pipe}} = H_{\text{hood}} - 615$).
- Lengthen the frame so that the pipe can be inserted. Place the pipe between the two flanges and block it. Make sure that the height of the frame is correct considering the height of the cooker hood ($H_{\text{frame}} = H_{\text{hood}} - 184$). Adjust the height of the frame and tighten again the earlier removed screws. Tighten again the safety screws in order to give more stability to the structure.
- Fix the pipe with the pipe clamps **25** supplied with the hood.



FIXING THE FRAME

- Lift the frame up, making sure that the index over the frame plate is turned forwards.
- Fit the frame slots onto the two screws inserted in the ceiling as above, and turn until reaching the centre of the adjustment slot.
- Tighten the two screws and fasten the other two screws provided; before locking the screws completely, it is possible to adjust the frame by turning it, making sure that the screws do not come out of their housing in the adjustment slot.
- The Frame must be securely fastened so as to support both the weight of the Hood and the stress caused by occasional axial pressure against the fitted Appliance. After fixing, make sure that the base is stable even when the Frame is subjected to lateral stress.
- If the Ceiling is not strong enough in the area where the hood is to be fixed, the Installer must strengthen the area using suitable plates and counterplates anchored to resistant structures.



Connections

DUCTED VERSION AIR EXHAUST SYSTEM

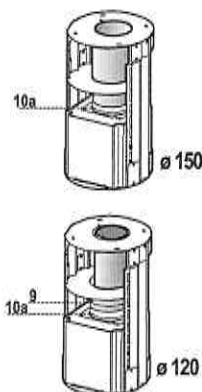
When installing the ducted version, connect the hood to the chimney using either a flexible or rigid pipe \varnothing 150 or 120mm, the choice of which is left to the installer.

To install a \varnothing 150

- To install the dumper 10a.
- Fix the pipe in position using sufficient pipe clamps (not supplied).

To install a \varnothing 120

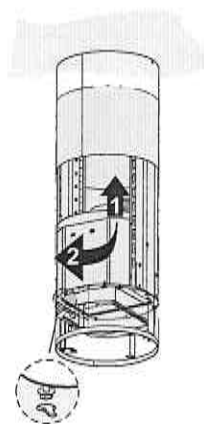
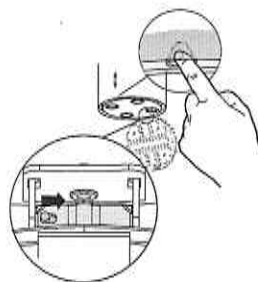
- To install a \varnothing 120 mm air exhaust connection, insert the reducer flange 9 on the dumper 10a.
- Fix the pipe in position using sufficient pipe clamps (not supplied).
- Remove any activated charcoal filters.



Installing of the chimney and fixing of the hood

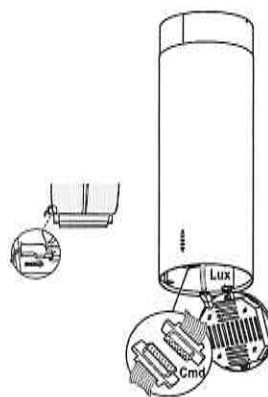
When the hood is installed in recycling version the chimney has to be positioned with the slots upwards. When the hood is installed in ducting version it has to be positioned in the opposite way.

- Place the chimney on the frame and fix it to the upper part of it with the earlier removed screws. When installing the hood in recycling version make sure that the slots correspond to the air outlet of the recycling air outlet piece 15.
- Open the lighting unit by slightly pulling the notch. Remove the unit from the hood by sliding the fixing pivot.
- Remove the filter pushing it towards the back side of the hood unit and simultaneously pulling downwards.
- Remove possible charcoal filters.
- In order to fix the hood body to the frame insert the 4 screws 12f in their seats. It is necessary to leave at least 4-5 mm gap between the screw heads and the frame plate.
- Hook the hood canopy to the frame and turn it to the left until it reaches the stop, then lock the screws immediately to prevent the hood canopy from falling out accidentally.

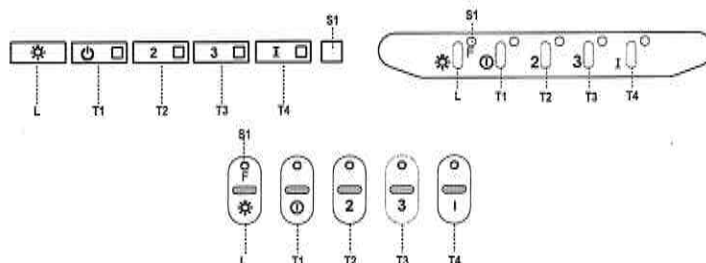


ELECTRICAL CONNECTION

- Connect the Hood to the mains power supply, inserting a two-pole cut-out switch with contact aperture of at least 3 mm along the line.
- Ensure that the supply cable connector is properly inserted into the Suction device socket
- Hook up the Commands connector **Cmd**.
- Hook up the Spotlights connector **Lux** to the socket provided behind the lighting unit cover.
- For the Recirculation Version, fit the Activated Charcoal Odour Filter.
- Replace the filters and the lighting unit.



USE



Control panel

Button	Led	Function
L	-	Turns the lights ON/OFF at maximum strength.
		Press and hold for approx. 2 seconds to turn the lighting system on and off at reduced intensity.
T1	Fixed	Turns the motor on/off at speed one.
T2	Fixed	Turns the Motor on at speed two.
		Press and hold the button for approximately 5 seconds, with all the loads turned off (Motor and Lights), to turn the Activated Charcoal Filter alarm on. The relevant LED flashes twice to confirm. To turn the alarm off, press the button again and hold for at least 5 seconds. The relevant LED flashes once.
T3	Fixed	Turns the Motor on at speed three.
		Press and hold the button for approximately 3 seconds, with all the loads turned off (Motor and Lights), to perform a reset. The LED S1 flashes three times.
T4	Fixed	Turns the Motor on at INTENSIVE Speed. This speed is timed to run for 10 minutes. At the end of this time, the system returns automatically to the speed that was set before. If it is activated with the motor turned off, it will switch to OFF at the end of the time.
		Press and hold for 5 seconds to enable the remote control, indicated by the LED flashing twice. Press and hold for 5 seconds to disable the remote control, indicated by the LED flashing just once.
S1	Fixed	Signals the Metal Grease Filter saturation alarm, indicating that it is necessary to wash the filters. The alarm is triggered after the Hood has been in operation for 100 working hours. (Reset see the parag. Maintenance)
	Flashing	When this is activated, it signals the Activated Charcoal Filter saturation alarm, indicating that the filter must be changed; the Metal Grease Filters must also be washed. The Activated Charcoal Filter saturation alarm comes into operation after the Hood has been working for 200 hours. (Activation and Reset see the parag. Maintenance)

MAINTENANCE

REMOTE CONTROL (OPTIONAL)

The appliance can be controlled using a remote control powered by a 1.5 V carbon-zinc alkaline batteries of the standard LR03-AAA type (not included).

- Do not place the remote control near to heat sources.
- Used batteries must be disposed of in the proper manner.



Metal grease filters

These can be washed in the dishwasher, and need to be cleaned whenever the S1 Led comes on or at least once every 2 months use, or more frequently if use is particularly intensive.

CLEANING THE FILTERS

Resetting the alarm signal

- Turn the Lights and the Suction Motor off.
- Press T3 and hold for at least 3 seconds, until LED flashes three times in confirmation.

Cleaning the Filters

- Open the lighting unit by pulling on the noeth.
- Remove the Filter, pushing it towards the back of the unit and at the same time pulling downward.
- Wash the filter without bending it, and leave it to dry thoroughly before replacing (if the surface of the filter changes colour over time, this will have absolutely no effect on its efficiency).
- Replace, taking care to ensure that the handle faces forwards.
- Replace the lighting unit.

