

Roblin

- FR** **Mode d'emploi et installation**
Hotte de Cuisine
- GB** **Instructions for use and installation**
Cooker Hood
- DE** **Bedienungsanleitung und Einrichtung**
Dunstabzugshaube
- IT** **Istruzioni per l'uso e l'installazione**
Cappa
- E** **Instrucciones de instalacion e utilizacion**
Campana
- NL** **Instructies voor het gebruik en installeren**
Dampkap



Windy Pro 900 & 1200

Thank you for buying a Roblin product which has been manufactured to the highest quality standards to meet your requirements.

We recommend you carefully read this booklet in which you will find instructions for installation, hints for use and maintenance. The Instructions for Use apply to several versions of this appliance. Accordingly, you may find descriptions of individual features that do not apply to your specific appliance.

1 ELECTRICAL

- This cooker hood is fitted with a 3-core mains cable with a standard 10/16A earthed plug.
- Alternatively the hood can be connected to the mains supply via a double-pole switch having 3mm minimum contact gap on each pole.
- Before connecting to the mains supply ensure that the mains voltage corresponds to the voltage on the rating plate inside the cooker hood.
- Technical Specification: Voltage 220-240, single phase ~50Hz / 220 V - 60 Hz.

2 INSTALLATION ADVICE

- Ensure the cooker hood is fitted in compliance with the recommended fixing heights.
 - To ensure the safe operation of this cooker hood, we recommend that the hood should not be fitted below 65cm (for electric) or (70cm for gas) the measurements taken from the surface of the cooking appliance to the underside of the cooker hood.
 - It is a possible fire risk if the hood is not sited as recommended.
 - To ensure the best results, the cooking fumes should be able to rise naturally towards the inlet grilles on the underside of the cooker hood and the cooker hood should be positioned away from doors and windows, which will create turbulence.
 - Ducting
 - If the room where the hood is to be used contains a fuel-burning appliance such as a central heating boiler then its flue must be of the room sealed or balanced flue type.
 - If other types of flue or appliances are fitted ensure that there is an adequate supply of fresh air to the room. Ensure the kitchen is fitted with an airbrick, which should have a cross-sectional measurement equivalent to the diameter of the ducting being fitted, if not larger.
 - The ducting system for this cooker hood must not be connected to any existing ventilation system, which is being used for any other purposes or to a mechanically controlled ventilation ducting.
 - The ducting used must be made from fire retardant materials and the correct diameter must be used, as incorrect sized ducting will affect the performance of this cooker hood.
 - When the cooker hood is used in conjunction with other appliances supplied with energy other than electricity, the negative pressure in the room must not exceed 0.04 mbar to prevent the fumes from combustion being drawn back into the room.
 - The appliance is for domestic use only and should not be operated by children or people who are infirm without supervision.
 - This appliance must be positioned so that the wall socket is accessible.
 - This appliance is not intended for use by persons (including children) with reduced physical, sensory or mental capabilities, or lack of experience and knowledge, unless they have been given supervision or instruction concerning use of the appliance by a person responsible for their safety.
- Children should be supervised to ensure that they do not play with the appliance.

3 FITTING


Any permanent electrical installation must comply with the latest regulations concerning this type of installation and a qualified electrician must carry out the work. Non-compliance could cause serious accidents or injury and would deem the manufacturers guarantee null and void.

IMPORTANT - The wires in this mains lead are coloured in accordance with the following code :

green / yellow : earth blue : neutral brown : live

As the colours of the wires in the mains lead of this appliance may not correspond with the coloured

markings identifying the terminals in your plug, proceed as follows.

- The wire which is coloured green and yellow must be connected to the terminal in the plug which is marked with the letter E or by the earth symbol  or coloured green or green and yellow.
- The wire which is coloured blue must be connected to the terminal which is marked with the letter N or coloured black.
- The wire which is coloured brown must be connected to the terminal which is marked with the letter L or coloured red.

ATTENTION: Do not forget to use adequate plugs to the support brackets. Enquire after the manufacturers. Do an embedding if necessary. The manufacturer accepts no responsibility in case of a faulty hanging due to the drilling and the setting up of plugs.

- 1) Draw a vertical line up the wall from the centre of the cooking appliance below as illustrated in fig. 4 - item 1.
- 2) Mark a point on the vertical line which corresponds to the lower canopy position (The height H of the splashback item B is 402 mm) and draw a horizontal line parallel to the stove top at a distance of 580 - 18 mm above this point.
- 3) Mark the 2 hole centres for the canopy fixing cup screws item T at a distance both left and right of the vertical line of 312 mm as illustrated in fig. 4.
- 4) Place one of the brackets fig. 4, item 2 on the wall 2 mm from the ceiling or from the upper limited of the chimney aligning the notches on the bracket centrally over the vertical line and mark the hole centres
- 5) Place the second of the brackets item 2 on the wall aligning the notches on the bracket centrally over the vertical line, at a distance X, which is equivalent to the height of the upper chimney section item S, mark the hole centres and then drill the holes using an 8 mm masonry drill and fix the cup screws and the 2 brackets using the plastic rawl plugs provided.
- 6) Hook the canopy item C onto the cup screws item T as illustrated fig. 2. The canopy should be secured to the wall using the two key hole slots, whose centres are located 61 mm below cup screws. Unhook the canopy, drill the holes using a 6.5 mm masonry bit and insert the rawl plug.
- 7) Draw a horizontal line through the vertical level with the back edge of the cooking surface. Place the splashback against the wall onto the top of the cooking appliance. it could be fix by rawl plugs and screws on the bottom.
- 8) Hook the canopy item C onto the cup screws item T as illustrated in fig. 2. The canopy can be adjusted horizontally and vertically ensuring the canopy aligns with the splashback and the cooking appliance, by turning the adjustment screw item V. The canopy can be adjusted so that it aligns with the wall by turning the adjustment screw item V2.
- 9) Secure the canopy to the wall using the security fixing screw as illustrated in fig. 3.
- 10) Place the noise-reduction tube item 4 over the round outlet on top of the canopy while pressing down until it snaps into position (Fig. 5), then the non-return backflow flaps item 3 over the noise-reduction tube and duct the canopy to the outside using ducting 150 mm (6 ins) manufactured from fire retardant material, produced to BS.476 or DIN 4102-B1. Before fitting the chimney to the canopy make the electrical connection as described in the section titled "ELECTRICAL WIRING", see as well UK specifications. When the electrical connection has been made, test the lights and the fan motor.

IN THE REMOTE INSTALLATION MODE :

- a. Connect the ducting 200 mm (8ins) onto the round outlets on the top of the canopy and onto the round inlet of the motors at a distance and secure the connections with appropriate clamping rings or adhesive tape.
 - b. Connect the earth connection onto the terminal marked with the earth symbol and clamp the connector onto the motor housing as illustrated Fig. 12.
- 11)The chimney stack consists of two sections. Fit the upper section item S first by expanding the chimney

slightly to allow it to clamp around the brackets item 2. Secure the chimney stack to the brackets using the four self tapping screws provided. Fit the lower chimney section item I by expanding the chimney slightly to allow it to clamp around the upper chimney section item S, and the bracket on top of the canopy item C as illustrated in fig. 5. Secure the chimney stack to the bracket using the two self tapping screws provided.

- 12) Place the 3 metal grease filters as illustrated in fig. 11.

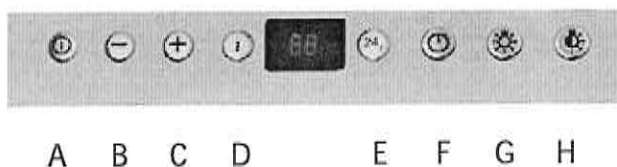
- **RECIRCULATION**

- 1) Fit the recirculation spigot item R over the round outlet on top of the canopy while pressing down on the spigot until it snaps into position as illustrated in fig. 7.

Note : The two recirculation ducts item G must be fitted onto the recirculation spigot R before fitting onto the canopy item C

- 2) Remove the metal grease filters and place one charcoal filter at a time over the grilles on either side of the motor housing as illustrated in fig. 6 & 8.

4 OPERATION



Control panel

Button	Function	Display
A	Turns the suction motor on and off at the last speed used.	Displays the speed set
B	Decrease the working speed.	
C	Increase the working speed.	
D	Activates intensive speed from any other speed even with the motor off. This speed is timed to run for 10 minutes, after which the system returns to the previous speed. Suitable to deal with maximum cooking fumes.	Displays HI and the bottom right hand spot flashes once a second.
E	Activates the motor at a speed that allows extraction of 100 m ³ /h for 10 minutes every hour, after which the motor stops. When the filter alarm is on, press the button for approximately 3 seconds to reset the alarm. These indications are only visible when the motor is turned off.	Displays 24 and the bottom right hand spot flashes, while the motor is turned on On completing the procedure the previous indicator is turned off: FF indicates that the metal grease filters need washing. The alarm is triggered after the Hood has been in operation for 100 hours. EF indicates that the activated charcoal filter needs changing and the metal grease filters need washing. The alarm is triggered after the Hood has been in operation for 200 hours.
F	Activates automatic shutdown after 30'. Suitable to complete elimination of residual odours. Can be activated from any position, and is turned off by pressing the button or switching the motor off.	Alternately displays the working speed and the time remaining before the hood turns off. The bottom right hand spot flashes.
G	Turns the main lighting system on and off.	
H	Turns the ambiance lighting system on and off.	

5 USEFUL HINTS

- To obtain the best performance it is advisable to switch 'ON' the cooker hood a few minutes (in the boost setting) before you start cooking and you should leave it running for approximately 15 minutes after finishing.
- **IMPORTANT: NEVER DO FLAMBÉ COOKING UNDER THIS COOKER HOOD**
- Do not leave frying pans unattended during use as over-heated fat and oil might catch fire.
- Do not leave naked flames under this cooker hood.
- Switch 'OFF' the electric and gas before removing pots and pans.
- Ensure heating areas on your hotplate are covered with pots and pans when using the hotplate and cooker hood simultaneously.

6 MAINTENANCE

Before carrying out any maintenance or cleaning isolate the cooker hood from the mains supply. The cooker hood must be kept clean; a build up of fat or grease can be a fire hazard.

Casing

- Wipe the cooker hood frequently with a clean cloth, which has been immersed in warm water containing a mild detergent and wrung out.
- Never use excessive amounts of water when cleaning particularly around the control panel.
- Never use scouring pads or abrasive cleaners.
- Always wear protective gloves when cleaning the cooker hood.

Metal Grease Filters

The metal grease filters absorb grease and dust during cooking to help keep the cooker hood clean inside. The grease filters should be cleaned once a month or more frequently if the hood is used for more than 3 hours per day.

To remove and replace the metal grease filters

- Remove the metal grease filters one at a time by releasing the catches on the filters; the filters can now be removed.
- The metal grease filters should be washed, by hand, in mild soapy water or in a dishwasher.
- Allow to dry before replacing.

Active Charcoal Filter

The charcoal filter cannot be cleaned. The filter should be replaced at least every three months or more frequently if the hood is used for more than three hours per day.

To remove and replace the filter

- Remove the metal grease filters.
- Press against the two retaining clips, which hold the charcoal filter in place and this will allow the filter to drop down and be removed.
- Clean the surrounding area and metal grease filters as directed above.
- Insert the replacement filter and ensure the two retaining clips are correctly located.
- Replace the metal grease filters.

Extraction tube.

Check every 6 months that the dirty air is being extracted correctly. Comply with local rules and regulations with regard to the extraction of ventilated air.

Lighting.

If the lamp fails to function check to ensure it is fitted correctly into the holder. If lamp failure has occurred

then it should be replaced with identical replacement.
Do not replace with any other type of lamp and do not fit a lamp with a higher rating.


7 GUARANTEE AND AFTER SALES SERVICE

- In the event of any malfunction or anomaly, notify your fitter who will have to check the appliance and its connection.
- In the event of damage to the mains supply cable, this can only be replaced by at approved repair centre appointed by the manufacturer who have the necessary tools and equipment to carry out any repairs properly. Repairs carried out by other persons will invalidate the guarantee.
- Use only genuine spare parts. Should these warnings fail to be observed it could affect the safety of your cooker hood.
- When ordering spare parts quote the model number and serial number written on the rating plate, which is found on the casing behind the grease filters inside the hood.
- Proof of purchase will be required when requesting service. Therefore, please have your receipt available when requesting service as this constitutes the date from which your guarantee commenced. This Guarantee does not cover :
 - Damage or calls resulting from transportation, improper use or neglect, the replacement of any light bulbs or filters or removable parts of glass or plastic.
 These items are considered to be consumable under the terms of this guarantee.

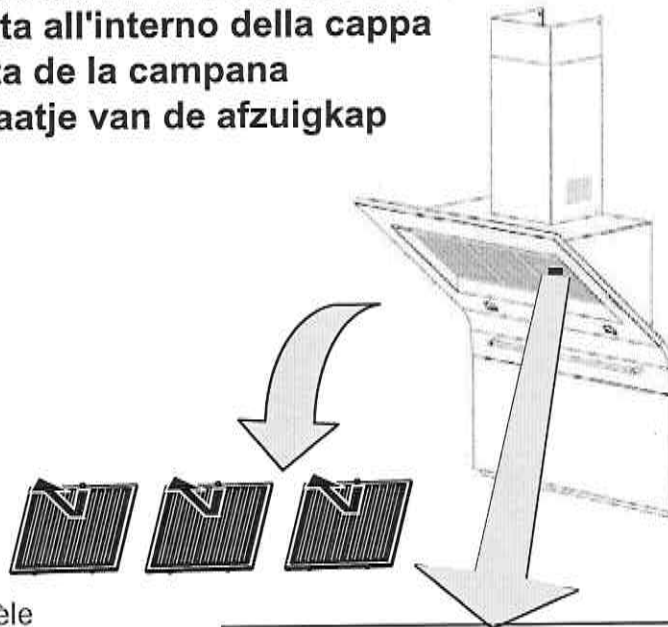
8 REMARKS

This appliance complies with European regulations on low voltages Directive 2006/95/CE on electrical safety, and with the following European regulations: Directive 2004/108/CE on electromagnetic compatibility and Directive 93/68 on EC marking.



When this crossed-out wheeled bin symbol  is attached to a product it means the product is covered by the European directive 2002/96/EC. Your product is designed and manufactured with high quality materials and components, which can be recycled and reused. Please inform yourself about the local separate collection system for electrical and electronic product. Please act according to your local rules and do not dispose of your old products with your normal household waste. The correct disposal of your old product will help prevent potential negative consequences for the environment and human health.

Plaque Signalétique de la hotte
Rating plate of the cookerhood
Typenschild im Inneren der Dunstesse
Etichetta all'interno della cappa
Etiqueta de la campana
Typeplaatje van de afzuigkap



Modèle	
Model	
Modell	
Modello	
Modelo	→
Model	
Numéro de série	→
Serial number	
Seriennummer	
Numero di serie	
Numero de serie	
Seriennummer	

Roblin Made in France 

CODE : 6013102

MOD: WINDY PRO/2 M 1200 EE INOX

N° série: 

220-240V~50Hz  230W

220V~60Hz  3x20W

TOT. 290W

CE

**Composants
Components
Bauelemente**

**Componenti
Componentes
Onderdelen**

- 2** - 2 fixations murales pour le haut de conduit
2 wall brackets to fix the upper chimney
2 Befestigungsbügel oberer Kaminteil
2 staffe per il fissaggio del camino
2 fijaciones murales para la alta chimenea
2 beugels voor bevestiging van de schouw

- B** - 1 crédence
1 splashback
1 Rückwand
1 fondale
1 credencia
1 rugwandpaneel

- G** - 2 rallonges (Version recyclage uniquement)
2 recirculation ducts (Special version only)
2 Umluftverlängerungen (nur für Sonderausführungen)
2 prolunghe laterali filtranti (Solo per versioni speciali)
2 añadidos (Solo para versiones especiales)
2 filterende verlengstukken zijkant
(Alleen voor speciale modellen)

- R** - 1 deflecteur (Version recyclage uniquement)
1 recirculation spigot (Special version only)
1 Umluftadapter (nur für Sonderausführungen)
1 raccordo filtrante (Solo per versioni speciali)
1 deflector (Solo para versiones especiales)
1 filterend verbindingsstuk
(Alleen voor speciale modellen)

- T** - 2 vis à oeillet pour accrocher la hotte
2 cup screws for hooking hood
2 Ringe zum Einhängen der Haube
2 anelli per aggancio cappa
2 tornillos para fijar la campana
2 bevestigingsringen wasenkap

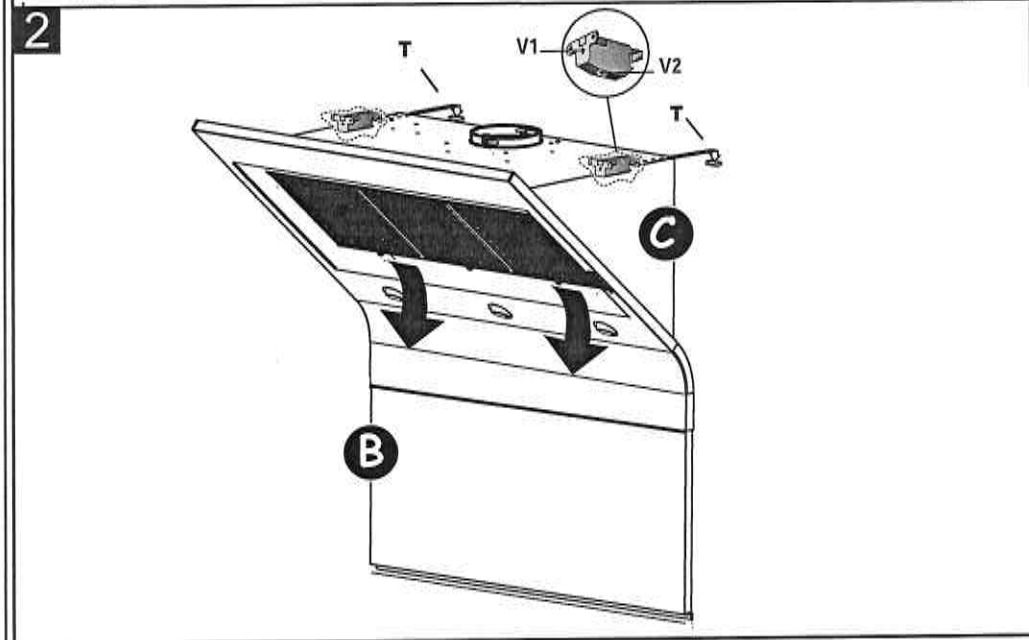
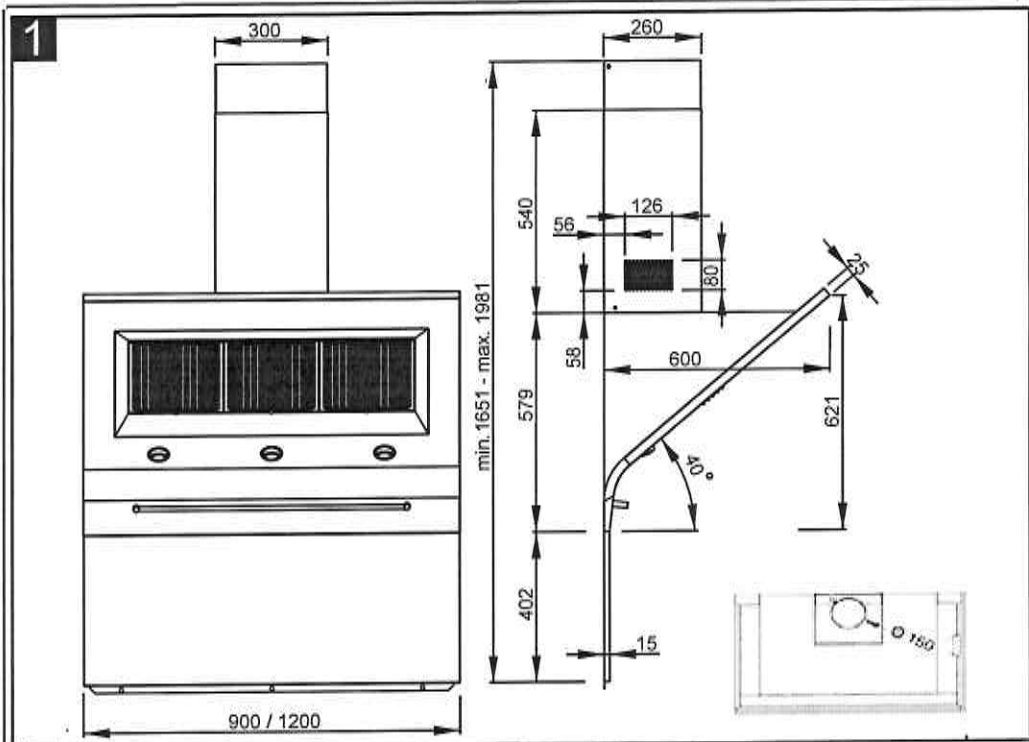
- 3** - 1 clapet à ventelles
1 non-return backflow flaps
1 Rückstauklappe
1 flangia
1 válvula anti-rechazo
1 klep

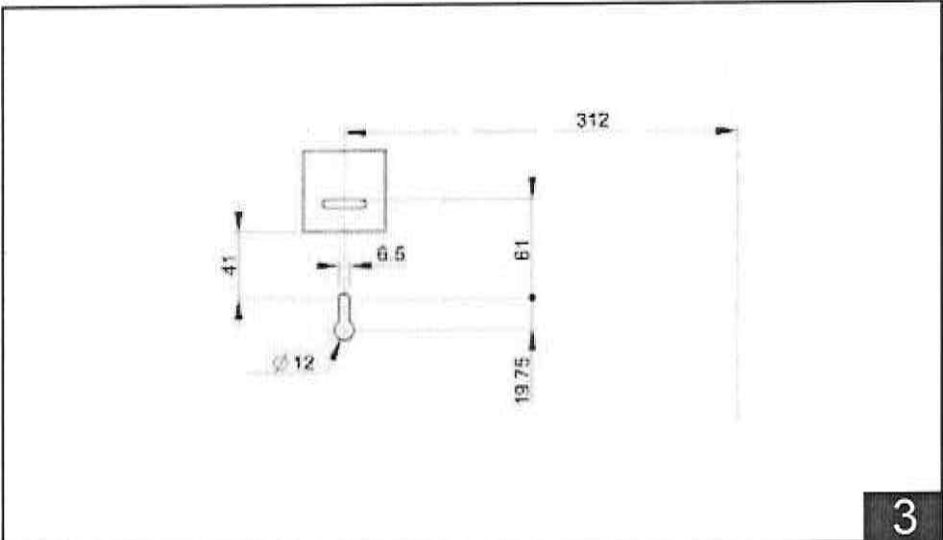
- C** - 1 corps de hotte
1 canopy
1 Haube
1 corpo cappa
1 cuerpo de la campana
1 afzuigkap

- I** - 1 bas de conduit
1 U-shaped lower chimney
1 Unterkamin
1 camino inferiore
1 tubo bajo de la chimenea
1 onderste schouwelement

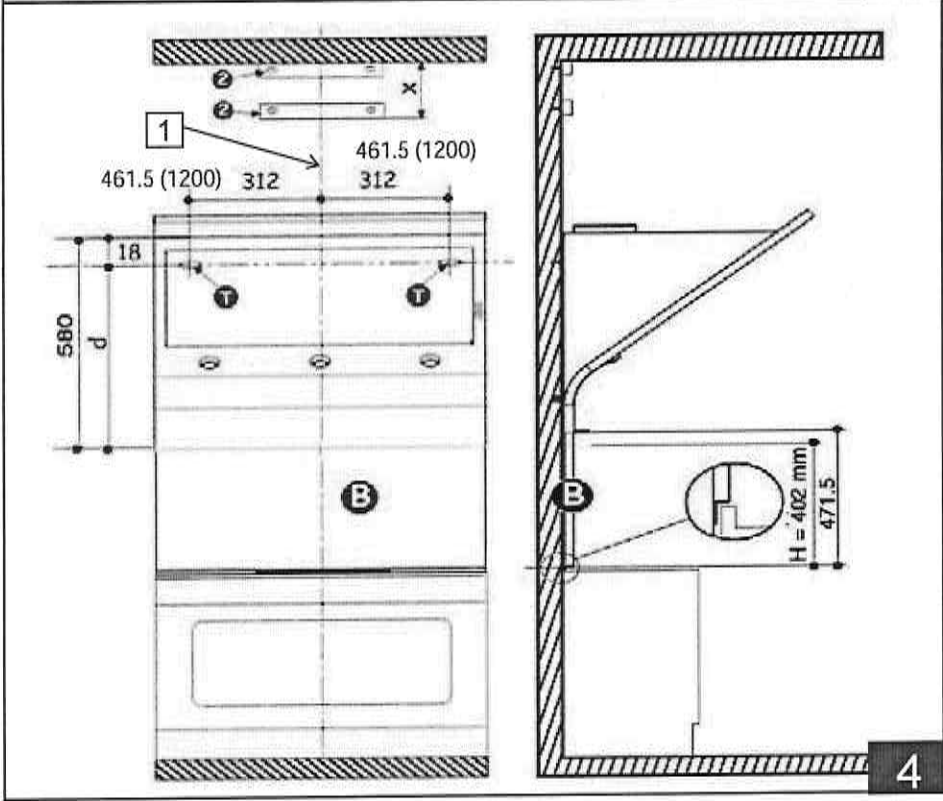
- S** - 1 haut de conduit
1 U-shaped upper chimney
1 Oberkamin
1 camino superiore
1 tubo alto de la chimenea
1 bovenste schouwelement

- 1 télécommande (Option)
1 remote control (optional)
1 Fernbedienung (Optional)
1 Telecomando (Opzionale)
1 Telemando (Opcional)
1 afstandbediening (Optie)



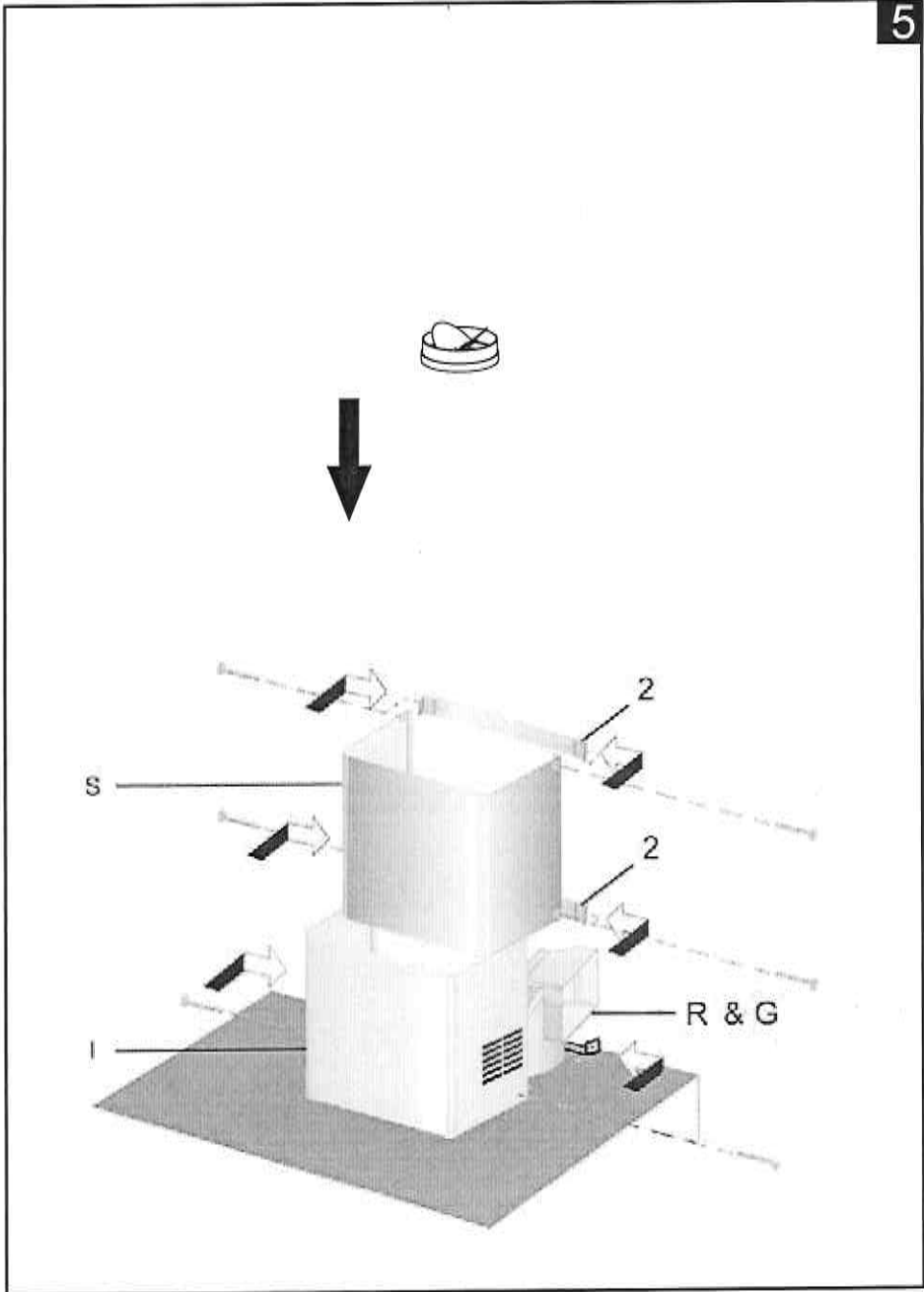


3



4

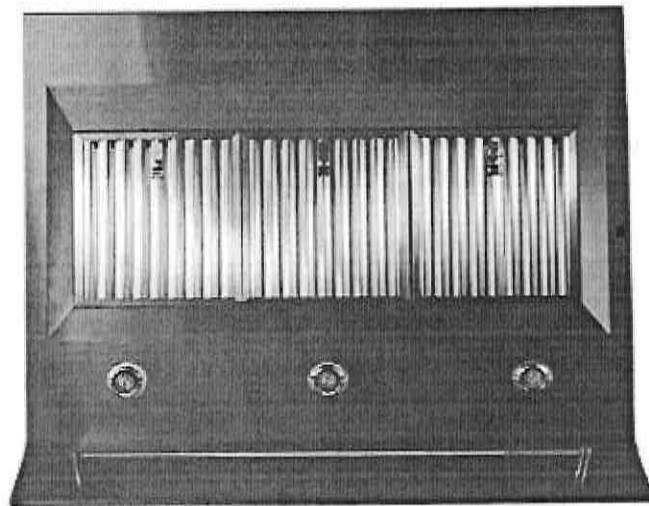
A5





1200

900

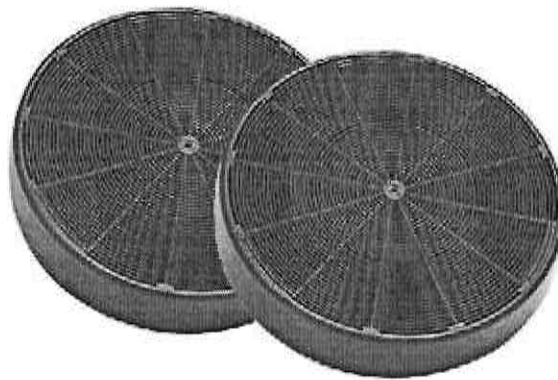
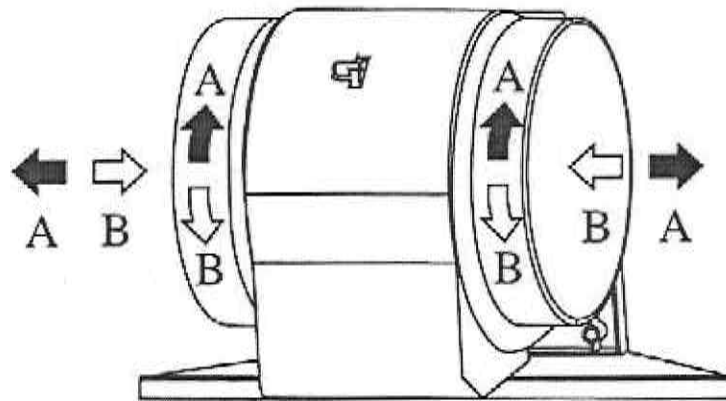


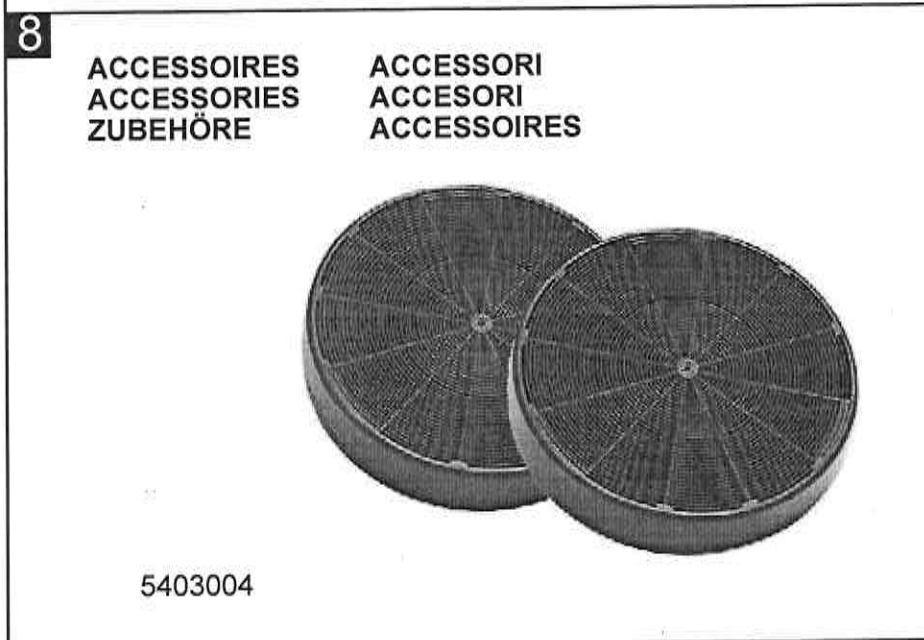
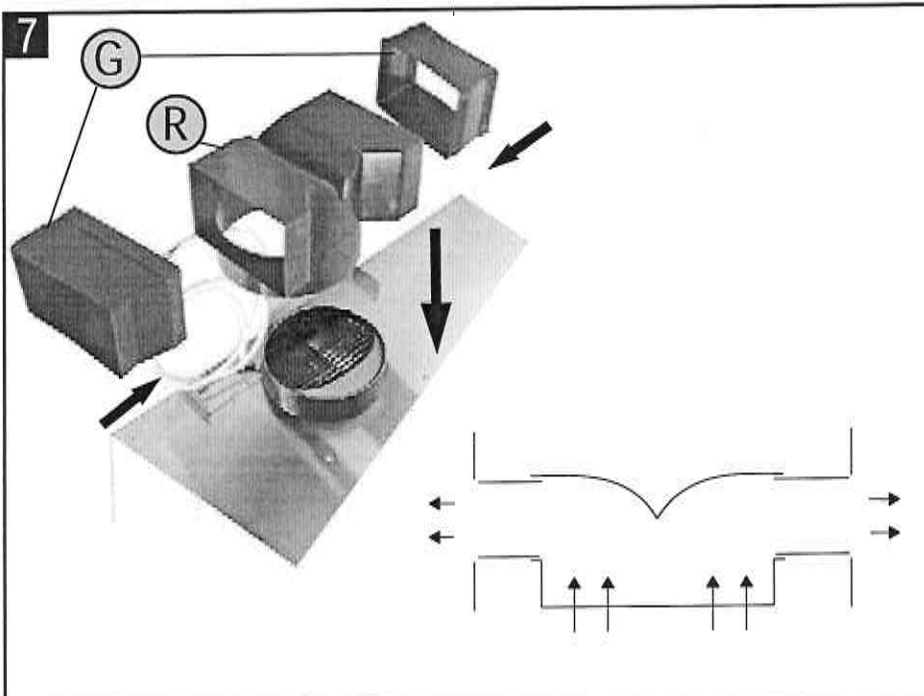
A7

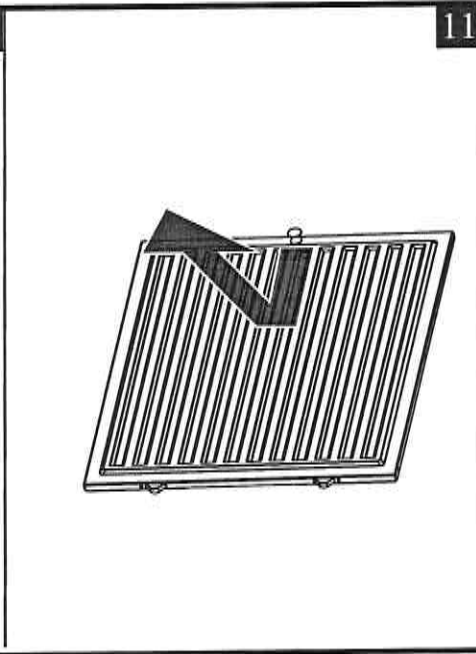
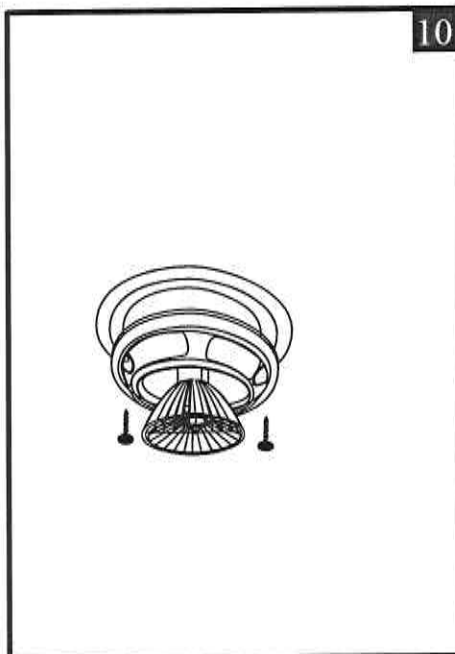
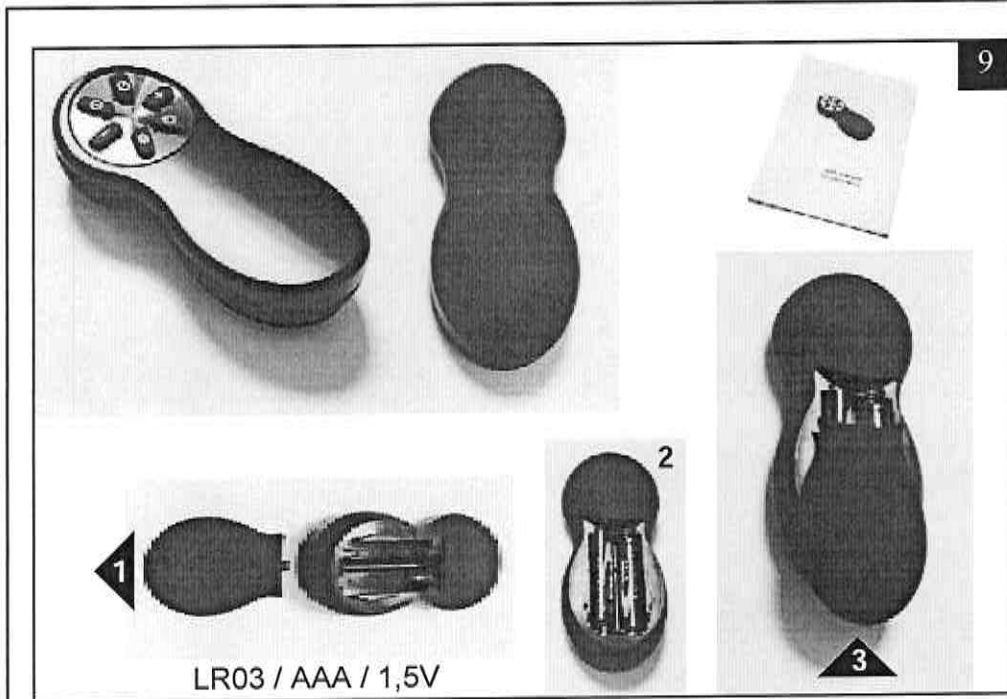
Avec recyclage
Mit Umluftbetrieb
Con riciclaje

With recirculation
Per versione filtrante
Op recyclage

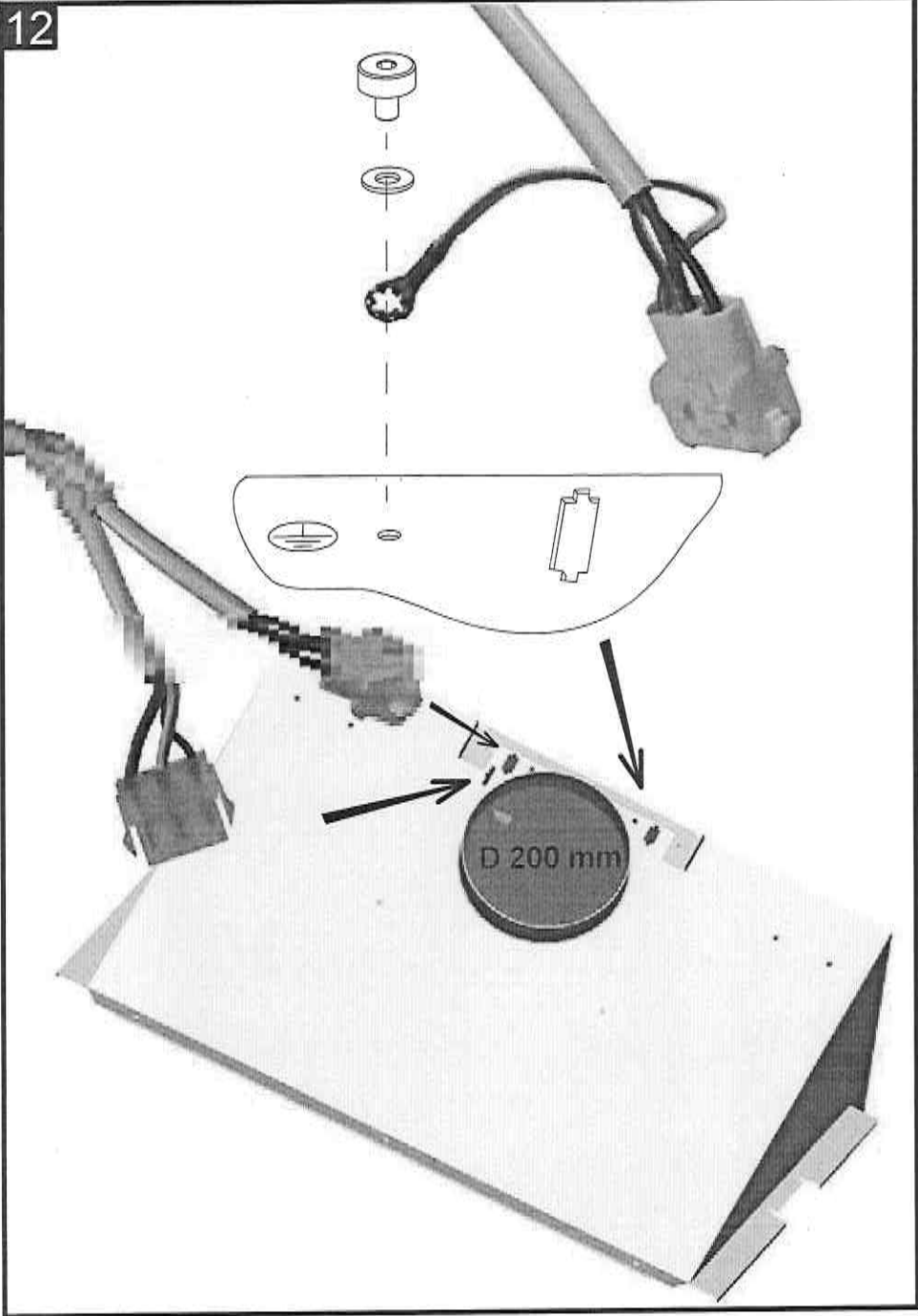
6 bis



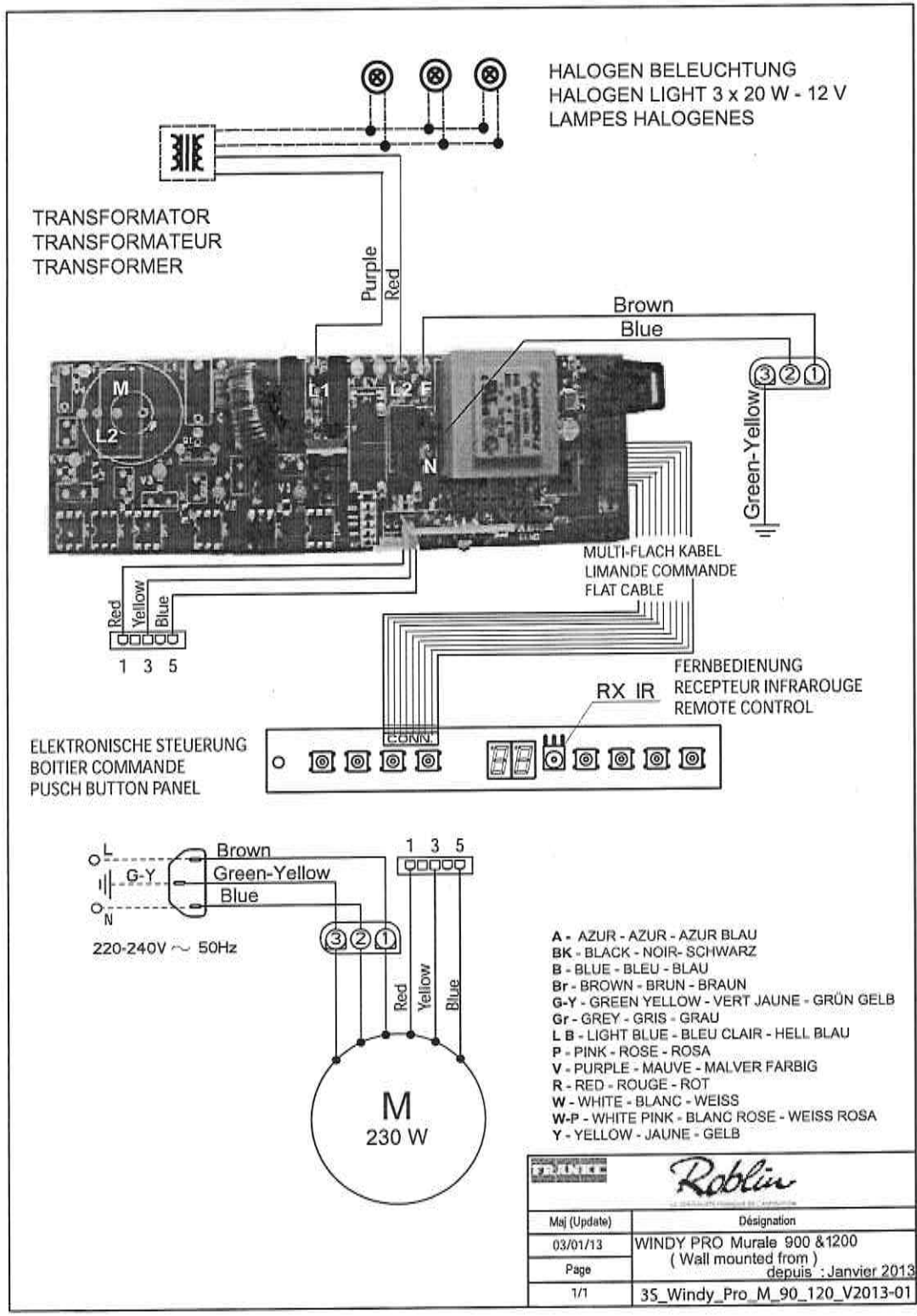




12



A11



TECHNICAL INFORMATION (UK)

 It is dangerous to alter the specifications or attempt to modify this product in any way.

ELECTRICAL SUPPLY

VOLTAGE: (50Hz)	230V
POWER CONSUMPTION:	290W
FAN MOTOR:	230W
LIGHT BULB: 3 x 20W	60W
SPEEDS	Electronic
CAPACITY m ³ /h*	727-903
PRESSURE PA	632
NOISE LEVEL dBA**	61-35

PERFORMANCE

*IEC 61591 method for cooker hoods in evacuation mode - **IEC 60704-2-13 method
This appliance conforms to BS.800:1988 and EEC Directive No. 78 308 regarding suppression of radio and television interference.



Note: CE Marking certifies that this appliance complies with the requirements laid down in EEC directive 89:336 (Electromagnetic compatibility) and subsequent modifications and Low Voltage directive 72/23/E.

ELECTRICAL CONNECTION

 THIS APPLIANCE MUST BE EARTHED

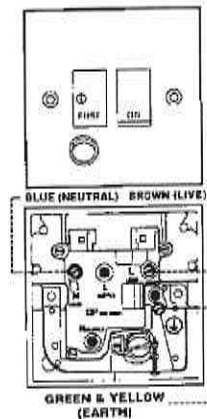
ELECTRICAL REQUIREMENTS

Any permanent electrical installation must comply with the latest I.E.E. Regulations and local Electricity Board regulations. For your own safety this should be undertaken by a qualified electrician e.g. your local Electricity Board, or a contractor who is on the roll of the National Inspection Council for Electrical Installation Contracting (NICEIC).

ELECTRICAL CONNECTION

Before connecting to the mains supply ensure that the mains voltage corresponds to the voltage on the rating plate inside the cooker hood.

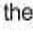
This appliance is fitted with two 3 core mains cable and must be permanently connected to the electricity supply via two double-pole switch having 3 mm minimum contact gap on each pole. Two Switched Fuse connection units to BS.1363 Part 4, fitted with a 3 Amp. fuse are a recommended mains supply connection accessory to ensure compliance with the safety requirements applicable to fixed wiring intructions.



The wires in this mains lead are coloured in accordance with the following code:-

Green & Yellow	Earth
Blue	Neutral
Brown	Live

As the colours of the wires in the mains lead of this appliance may not correspond with the coloured markings identifying the terminals in your connection unit, proceed as follows:-

The wire which is coloured green and yellow must be connected to the terminal which is marked with the letter 'E' or by the earth symbol  or coloured green and yellow.

The wire which is coloured blue must be connected to the terminal which is marked with the letter 'N' or coloured black.

The wire which is coloured brown must be connected to the terminal which is marked with the letter 'L' or coloured red.

CE

Roblin

FRANKE France S.A.S.
25 Rue des Rosiers - Sainte Cécile
B. P. 60056
50800 VILLEDIEU-LES-POÊLES - France
Tél. 02 33 91 26 50 - Fax 02 33 51 54 79 - e-mail : com.france@roblin.fr
For outside France : Tel. +33 (0)2 33 91 26 57 - Fax. : +33 (0)2 33 51 54 79
e-mail : com.export@roblin.fr

20NO401- 130102